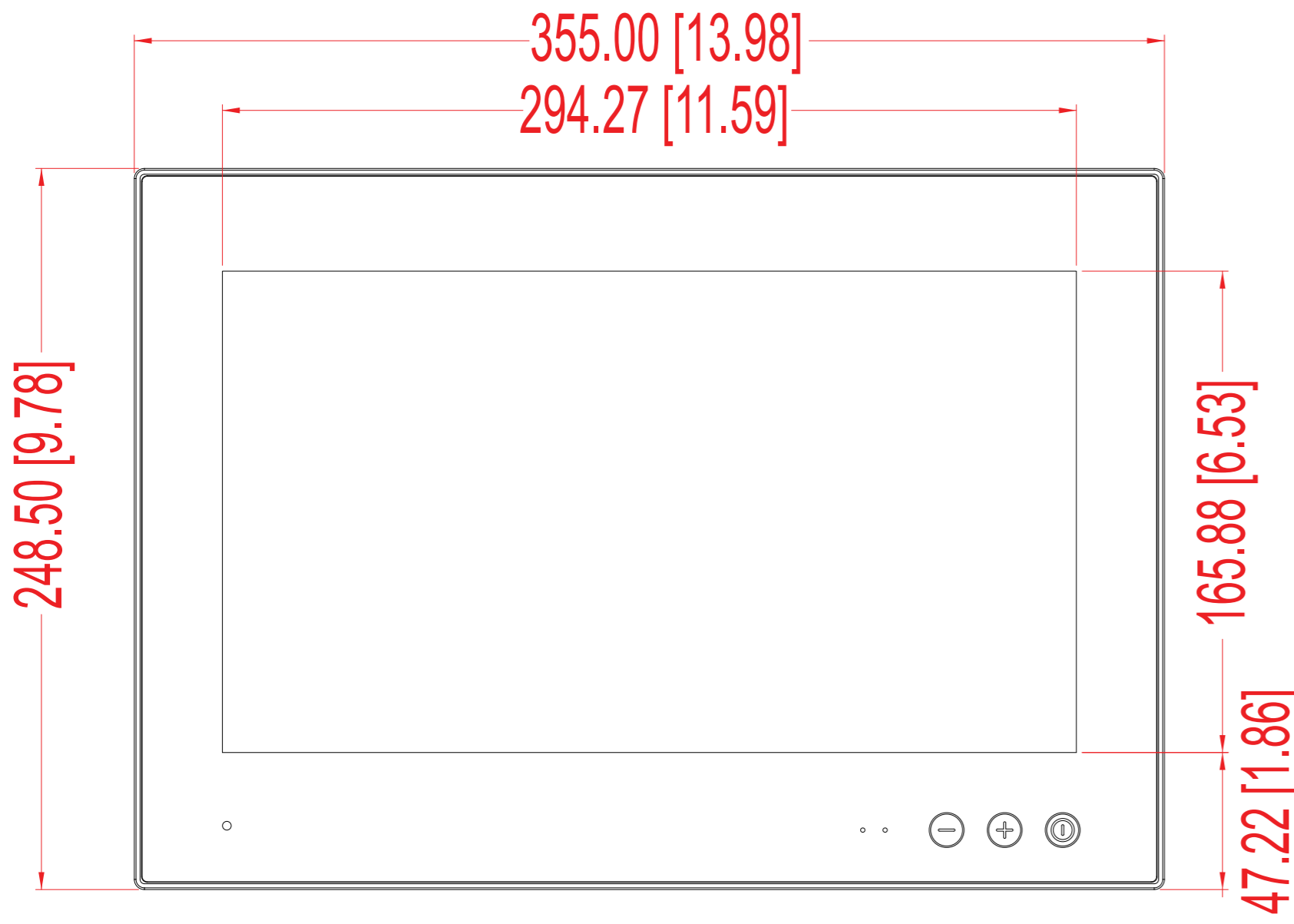
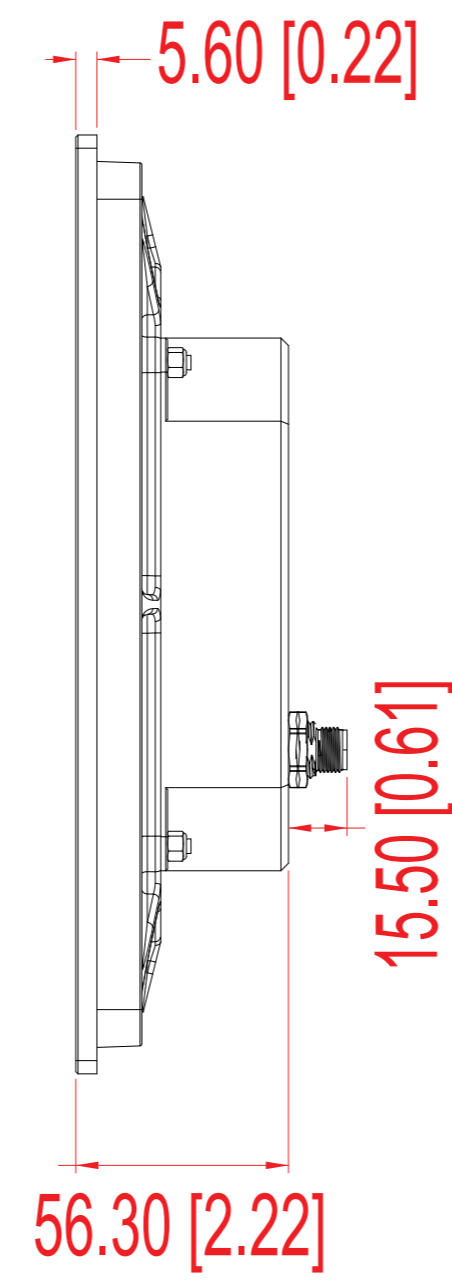


This document is the property of Hatteland Technology AS. This document and any authorized reproduction thereof, must not be used in any way against the interest of Hatteland Technology AS. Any authorized reproduction, in whole or in part, must include this legend.

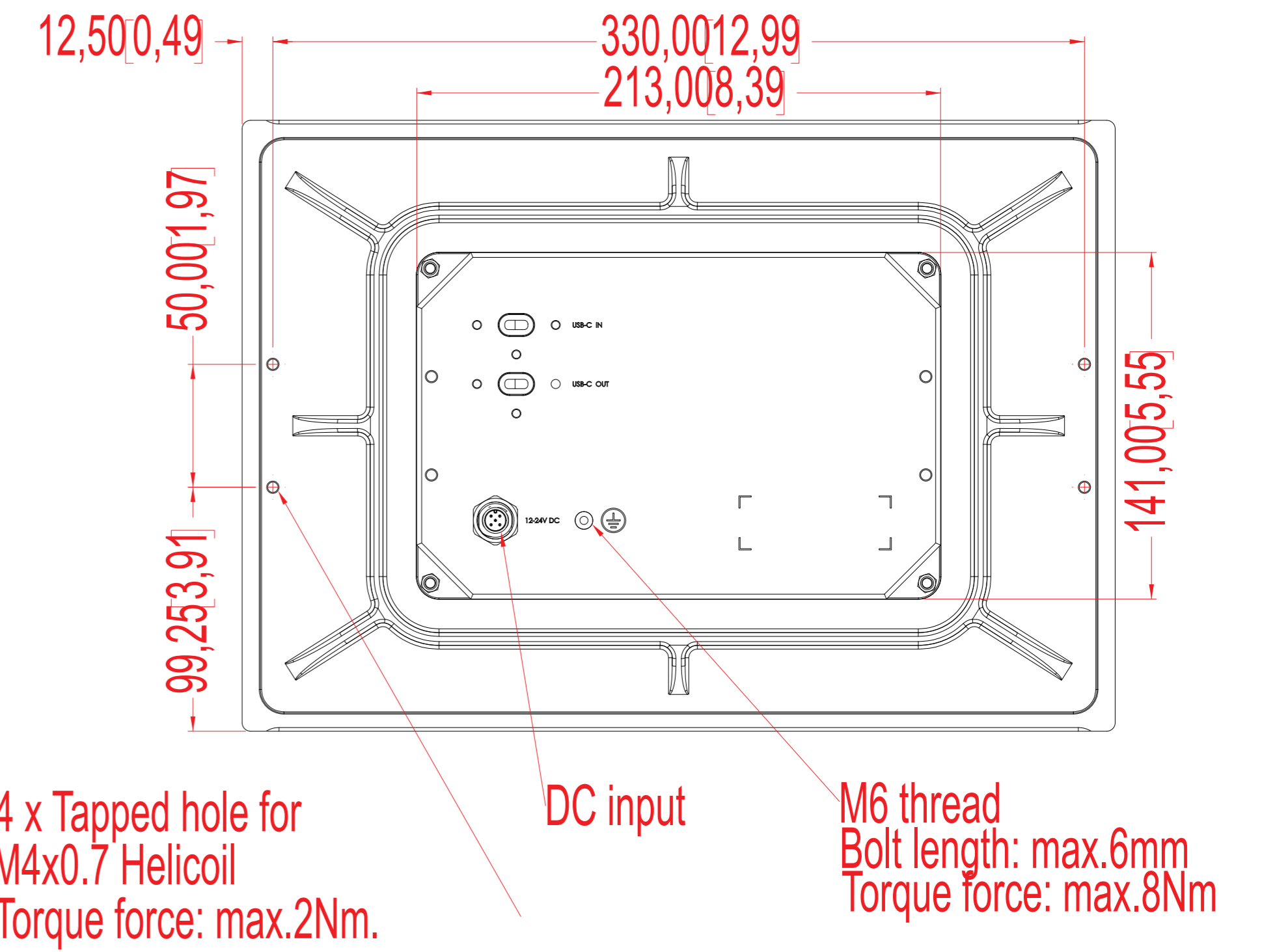
### FRONT VIEW



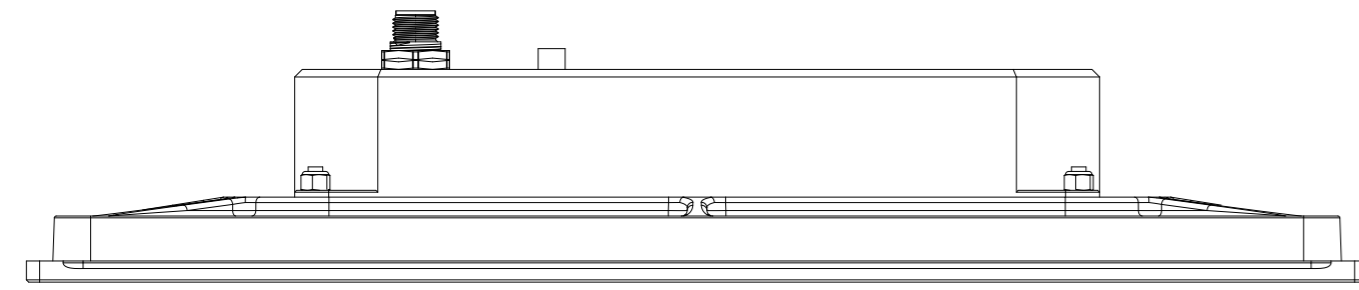
### SIDE VIEW



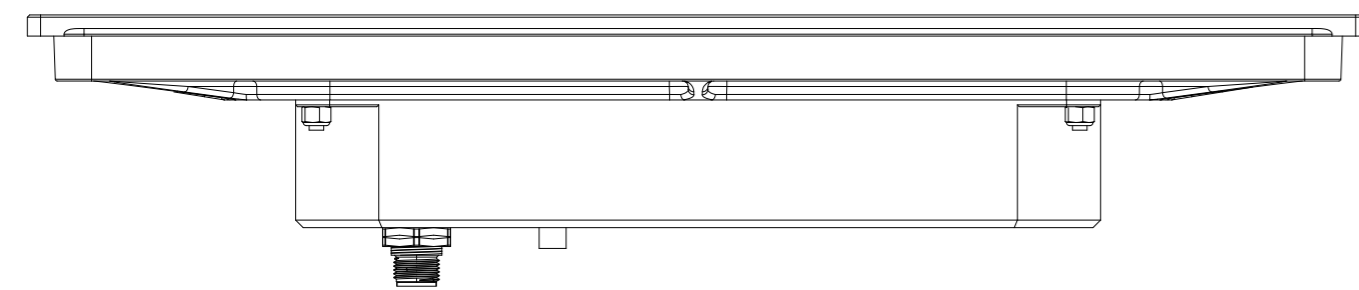
### BACK VIEW



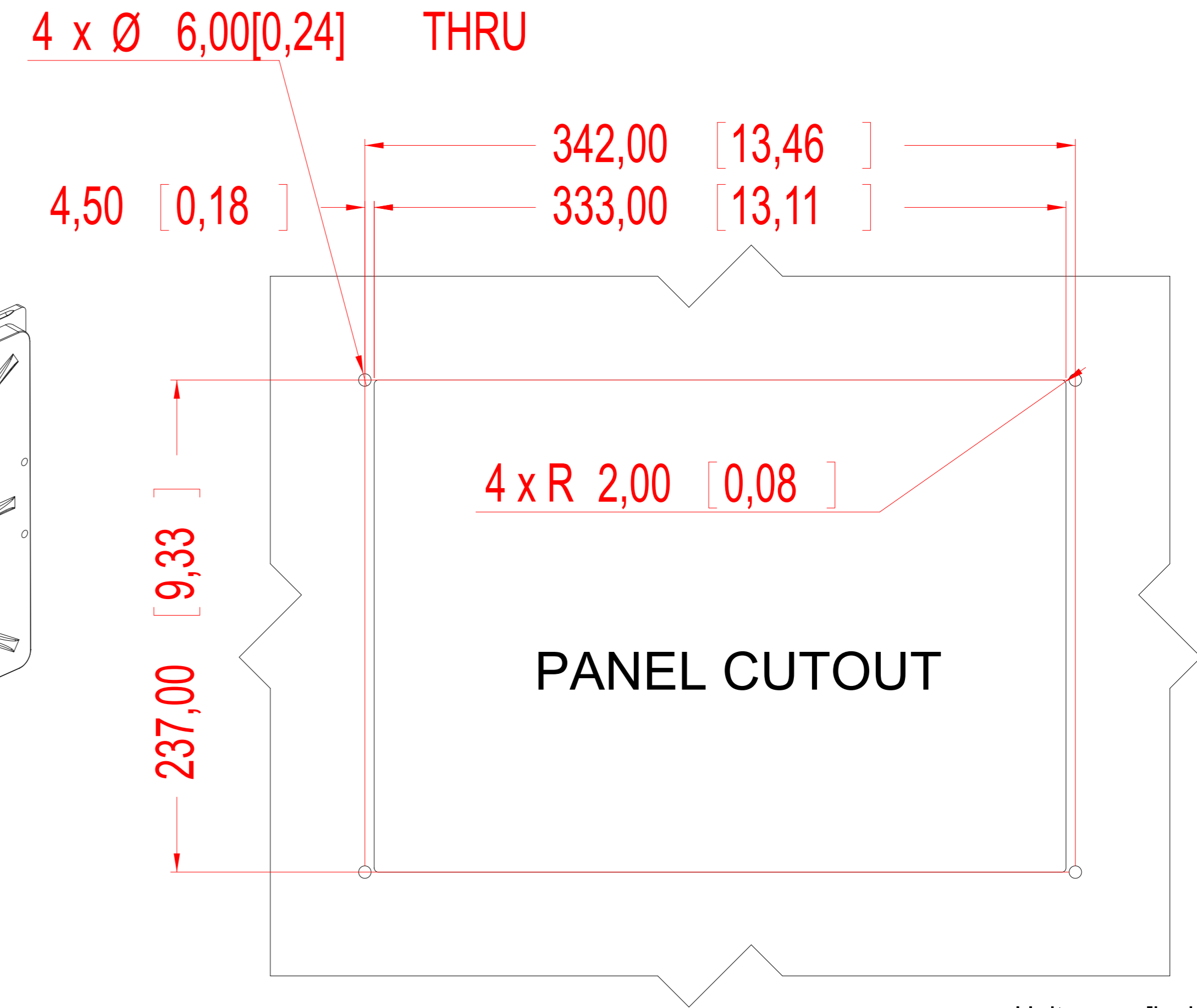
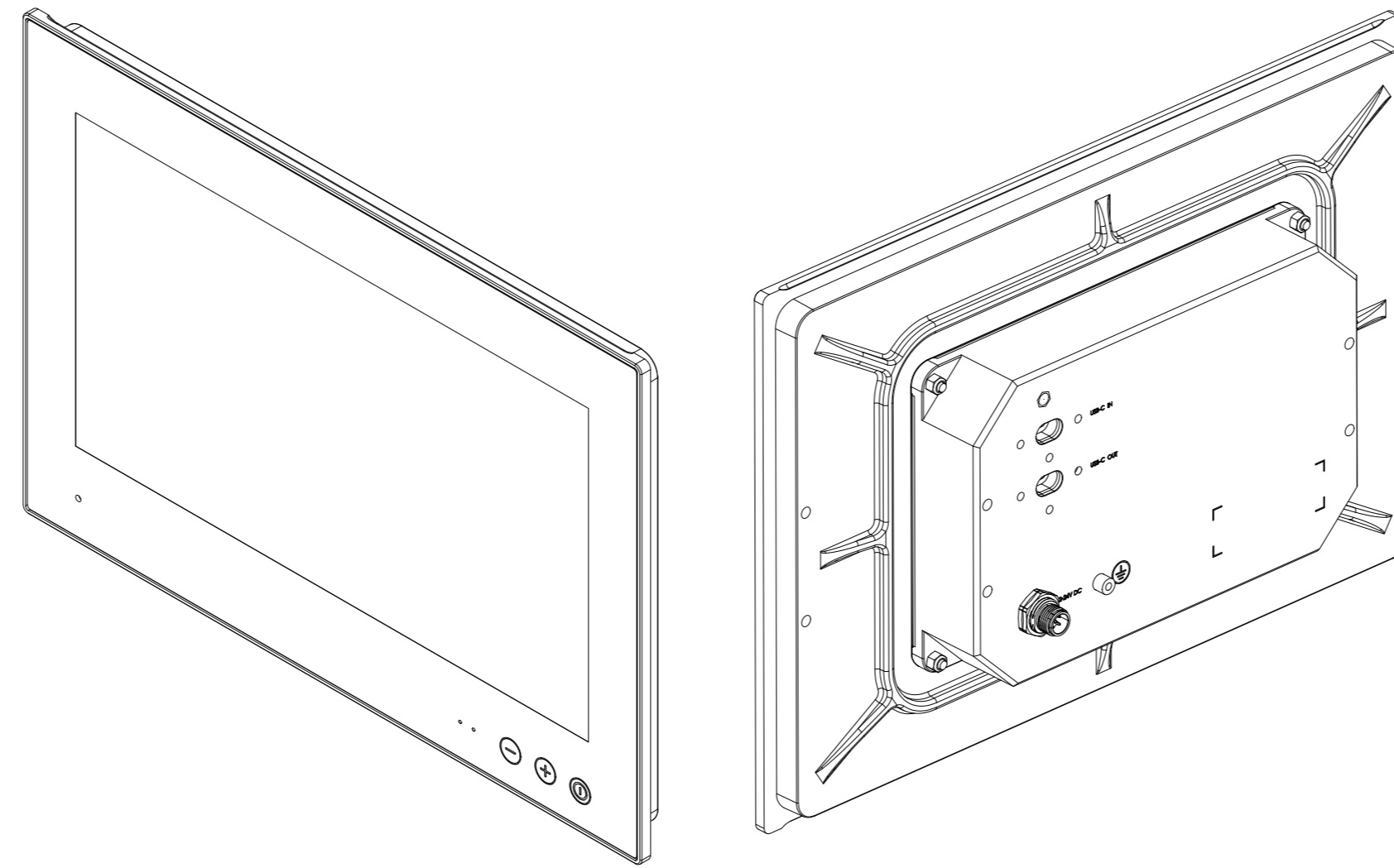
### BOTTOM VIEW



### TOP VIEW



### DIMETRIC VIEWS



Units: mm [inches]

## SALES DRAWING HD 13T30 SCM-Jxx-xxxx (IP67 Model, Standard Front)

model shown in this drawing, but measurements generally apply for all HD 13T30 SCM-Jxx-xxxx models, IP67, Standard Front

Creation date / by: / 20.01.22 7258	Projection:	A1	<b>HATTELAND TECHNOLOGY</b> an EMBRON Company
Last rev. date / by: /		Scale: 1:1.5	Approved by: _____ Revision: _____
Hatteland Technology AS Eikeskogvegen 52 N-5570 Aksdal		Tolerance: ISO 2768-mK	Drawing number: A012997